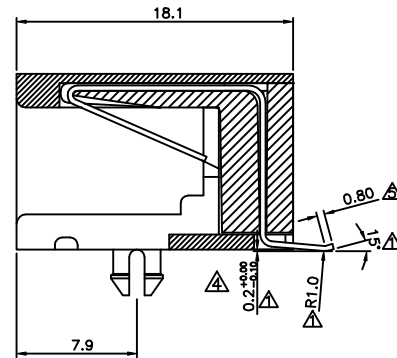
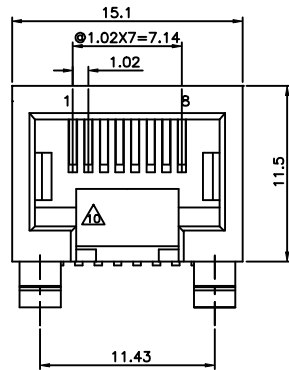
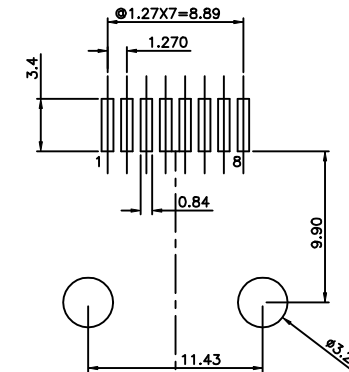
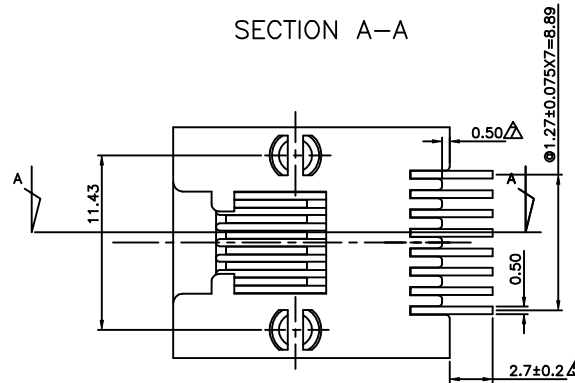


A1RFRD10



SECTION A-A



PC BOARD LAYOUT COMPONENT SIDE SHOWN

REVISION RECORD				
REV	ECO	DESCRIPTION	DRFT	CHKD
△		DESIGN MODIFY	BYRON 11/28/99	
△		DRAWING MODIFY	BYRON 2/16/00	H
△		PART NO MODIFY	BYRON 7/17/2K	
△		TOL MODIFY	CZH 8/19/00	
△		TOL MODIFY	shy 12/2/00	
△		DESIGN MODIFY	CZH 3/28/2000	
△		DESIGN MODIFY	P 11 5/09/01	
△		ADD PART NO	LFE 5/13/02	G
△		DRAWING MODIFY	Among 11/08/04	
△		DRAWING MODIFY	ANKUE 06/31/05	

NOTES:

ELECTRICAL:

- VOLTAGE RATING : 125 VAC RMS.
- CURRENT RATING : 1.5 AMP.
- CONTACT RESISTANCE : 35 MILLIOHMS MAX.
- INSULATION RESISTANCE: 1000 MEGOHMS MIN @ 500 VDC.
- DIELECTRIC STRENGTH : 1000 VAC RMS 60Hz, 1MIN.

MECHANICAL:

- HOUSING MATERIAL : GLASS FILLED POLYESTER UL94V-0.
- CONTACT MATERIAL : PHOSPHOR BRONZE t=0.35mm.
- PLATING : GOLD PLATING OVER NICKEL.
- OPERATING LIFE : 750 CYCLES MIN.
- PCB RETENTION PRE-SOLDER : 1 LB MIN.
- PCB RETENTION POST-SOLDER: 10 LBS MIN.

ENVIRONMENTAL:

- STORAGE : -40°C TO +85°C.
- OPERATION: -40°C TO +85°C.

MATES WITH MODULAR PLUG CONFORMING TO FCC PART 68, SUBPART F.

PART NUMBER: E538X-E005DX

NO OF CONTACT:	1- 3u"	2- 6u"
2- 2C	3-15u"	4-30u"
4- 4C	5-50u"	6-Pd 20u"
6- 6C		
8- 8C		

<p>← MM (INCH) →</p> <p>TOLERANCES EXCEPT AS NOTED</p>		DFTO KAN DATE 7/9/99	FULL RISE ELECTRONIC CO., LTD	
<p>MM ±</p> <p>.0 ±0.20 ±</p> <p>.00 ±0.15 ±</p> <p>.000 ±0.075 ±</p>		CHKD SAMMY DATE 2005/08/31	TITLE	
<p>ANGLES ±</p>		MFO DATE	11.5 SIDE ENTRY 8P 加深型	
<p>THIRD ANGLE PROJECTION</p>		APPVLUSHENG DATE 2005/08/31	DRAWING NO. GE533A06	
		MATERIAL :	/PART NO. SEE NOTE	
		QT'Y :	SIZE A3	
		FINISH :	REV 10	
		SCALE : 3:1	08/31/05	
		DO NOT SCALE DRAWING	SHEET X OF Y	